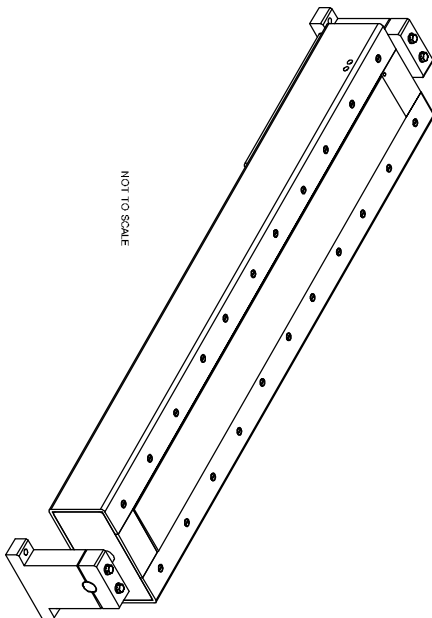
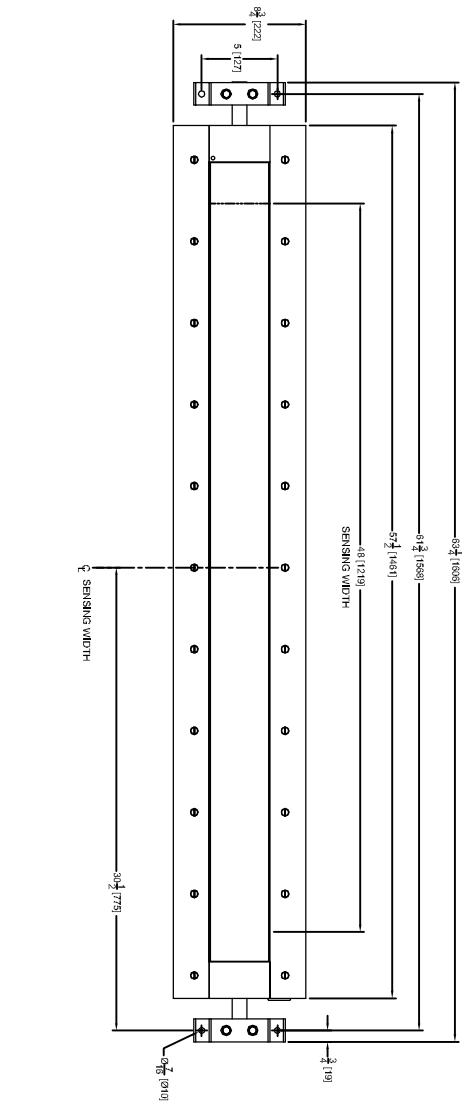
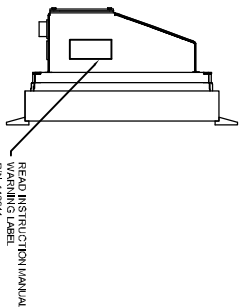
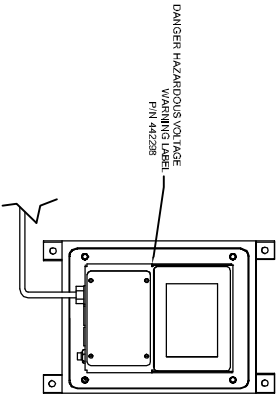
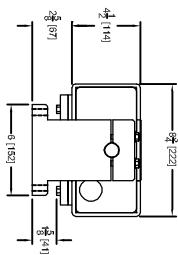


REV	CHANGE MADE	BY	DATE	ISSUED
-----	-------------	----	------	--------



NOT TO SCALE



RE/OTE CONTROL HOUSING  
 SET 4052939  
 EST. 11.1.818/4 KGI

ESTIMATED WEIGHT: 7.8 LB. (3.5) KG  
 CONTROL SCHEMATIC: 2800500099

**PRIZ**  
 PAPER INDUSTRIES, INC.  
 1000 W. 10TH AVENUE  
 DENVER, CO 80202

**PRIZ**

TITLE	EX TEC TOP SIGNAL SURFACE METAL DETECTOR
REV	4/8
DATE	11/20/00
DESIGNED BY	DAVID L. WILSON
CHECKED BY	DAVID L. WILSON
SCALE	1/16" = 1"
DATE	11/20/00
BY	DAVID L. WILSON
APP'D	DAVID L. WILSON

4R - 200810423